

Sequence and Changeover Valves



658 Powertop Sequence Valve.

Description

Designed to select and modulate the flow of either hot or chilled water, without mixing, for radiant panel and similar applications, the 658 Powertop Sequence and Changeover Valves are designed with 2 inlets and one outlet for the sequence valve and with one inlet and 2 outlets in the changeover valve.

Features

- Stainless steel stem for smooth operation and rugged durability
- Large diaphragm area for control accuracy and tight close-off
- Removable actuator for ease of servicing
- Durable actuator made to eliminate electrolytic action
- Replaceable disc assemblies
- Matched sequencing or control and changeover

Applications

The 658 Powertop Sequence and Changeover Valves are used for the selection and modulating of hot or chilled water through radiant panels connected to separate hot water and chilled water (4-pipe) systems.

D-203

Valves

Control Schedule

		NOMINAL CONTROL SCHEDULE						
CONTROL PRESSURE -- psig		2	4	6	8	10	12	14
SEQUENCE VALVE	OPEN	HOT WATER SUPPLY			CHILLED WATER SUPPLY			
	CLOSED	HOT WATER RETURN			CHILLED WATER RETURN			
CHANGEOVER VALVE	OPEN	HOT WATER SUPPLY			CHILLED WATER SUPPLY			
	CLOSED	HOT WATER RETURN			CHILLED WATER RETURN			

658 Powertop Specifications

Valve Size	1/2" (15 mm)
Valve Body Style	Flared end
Flow Characteristics	
Sequence	Equal percentage
Changeover	Quick-opening
Valve Type	
Sequence	2 inlets/1 outlet
Changeover	1 inlet/2 outlets
Valve Action	
	NO/Hot to Common
	NC/Cold to Common
Stem Travel	13/32" (10 mm)
Valve Body Rating	ANSI Class 250

Materials	
Valve Body	Bronze
Disc	Styrene Butadiene
Stem	Stainless Steel
Packing	Dual EPT Rubber
Diaphragm Area	11 in. ² (71 cm ²)
Max. Diaphragm Pressure	30 psi (210 kPa)
Controlled Medium	Water, glycol solution
Max. Medium Temperature	250°F (121°C)
Maximum Inlet Pressure	250 psi (1720 kPa)
Max. Differential Pressure Between Hot and Cold Ports	
Sequence	50 psi (350 kPa)
Changeover	10 psi (69 kPa)
Max. Differential Pressure for Modulating Service	
Sequence Valve	25 psi (170 kPa)
Ambient Operating Temperature	35 to 140°F (2 to 60°C)

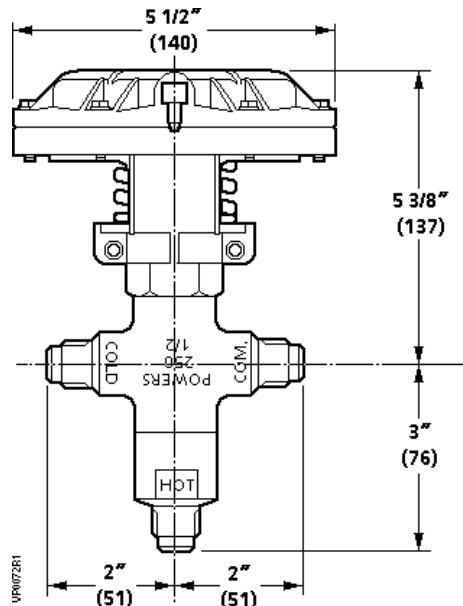
658 Powertop Product Ordering

Valve Size	Valve Type	Cv	Close-offs	Part No.
1/2" (15 mm)	Sequence	1.5	50 psi (344 kPa)	658-0050
1/2" (15 mm)	Sequence	2.5	50 psi (344 kPa)	658-0051
1/2" (15 mm)	Changeover	2.5	10 psi (68 kPa)	658-0052

D-204

Valves

Dimensions and Weights



Dimensions shown in inches (mm).